

Swivel and height-adjustable table for interactive screen

Réf. : ST-SUP-TILT-001

This "tiltable" interactive screen support is ideal for transforming your screen into a digital table. It is also mobile and easy to use :

- Its great modularity allows you to adapt the screen to various audiences (children, people with reduced mobility, etc.).
- With its electric motors, tilt your interactive screen horizontally, in an instant and in complete safety, to turn it into an interactive table.
- Adjust its position with its easy-to-use wired remote control with intuitive controls.
- Its great modularity allows you to adapt the screen to various audiences (children, people with reduced mobility, etc.).
- The VESA mounting bars allow multiple screen sizes, from 55" to 86", to be attached to this mount.
- Its wheels equipped with brakes allow you to move it and securely fix its position.



Its lowest position at 935 mm high allows you to adapt it to your workspace and create new interactions in your co-working spaces or classrooms.

Fiche technique

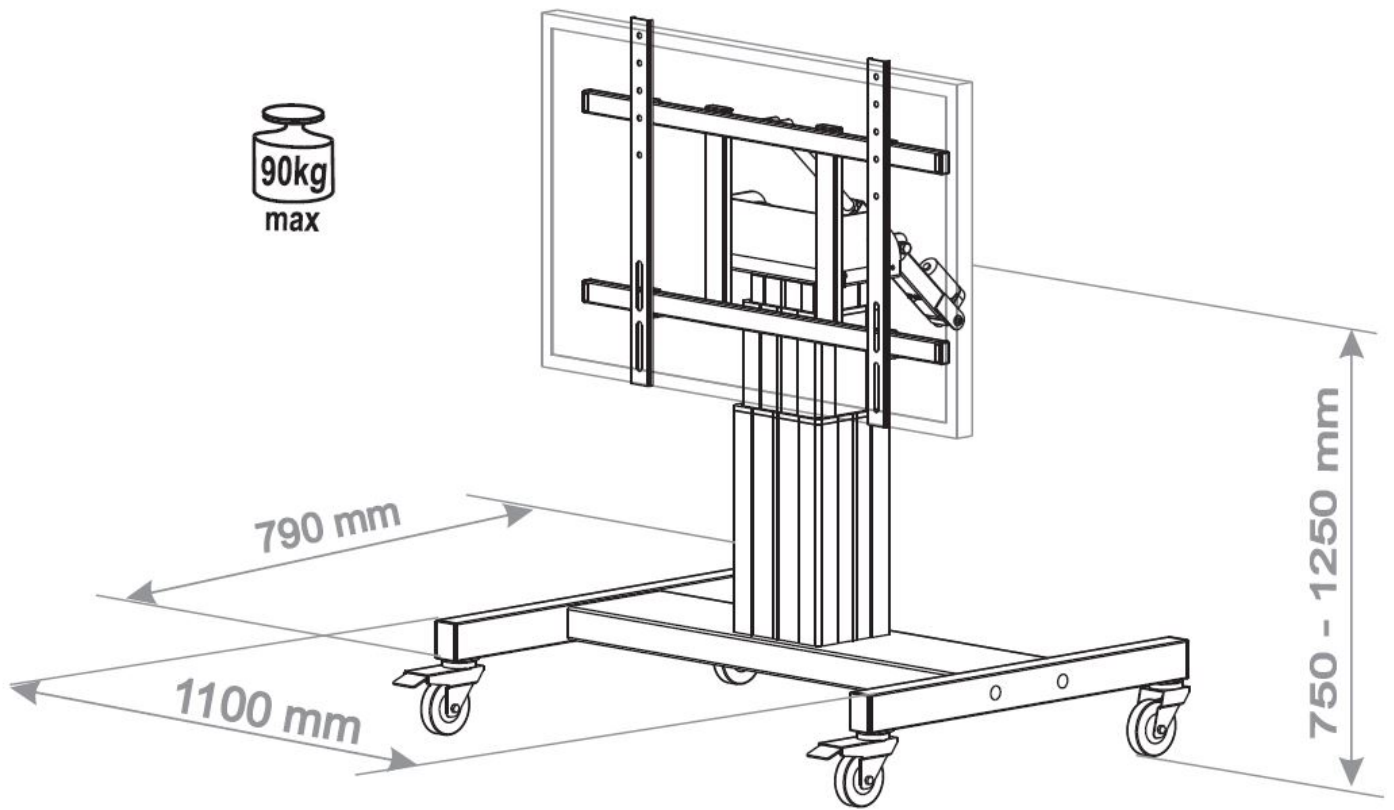
Weight	50 kg
Max screen size	86"
Accessories	Wheels with brakes
Vertical position - Minimum height of the top of the plate	935 mm
Vertical position - Maximum height of the top of the plate	1222 mm
Maximum screen weight	90 kg
Accessories included	Wired remote control
Loading speed	10mm/s (height) & 3.5mm/s (tilt)
VESA (mm / mm)	De 50 x 200 mm to 800 x 600 mm
Color	Silver

Description détaillée

This stand can support interactive displays weighing up to 90 kg. It is therefore perfectly suited for the following touch screen sizes: 55", 65", 75", 86".

Compatible up to VESA 800 x 600 mm.

Vertical position :



Horizontal position :

